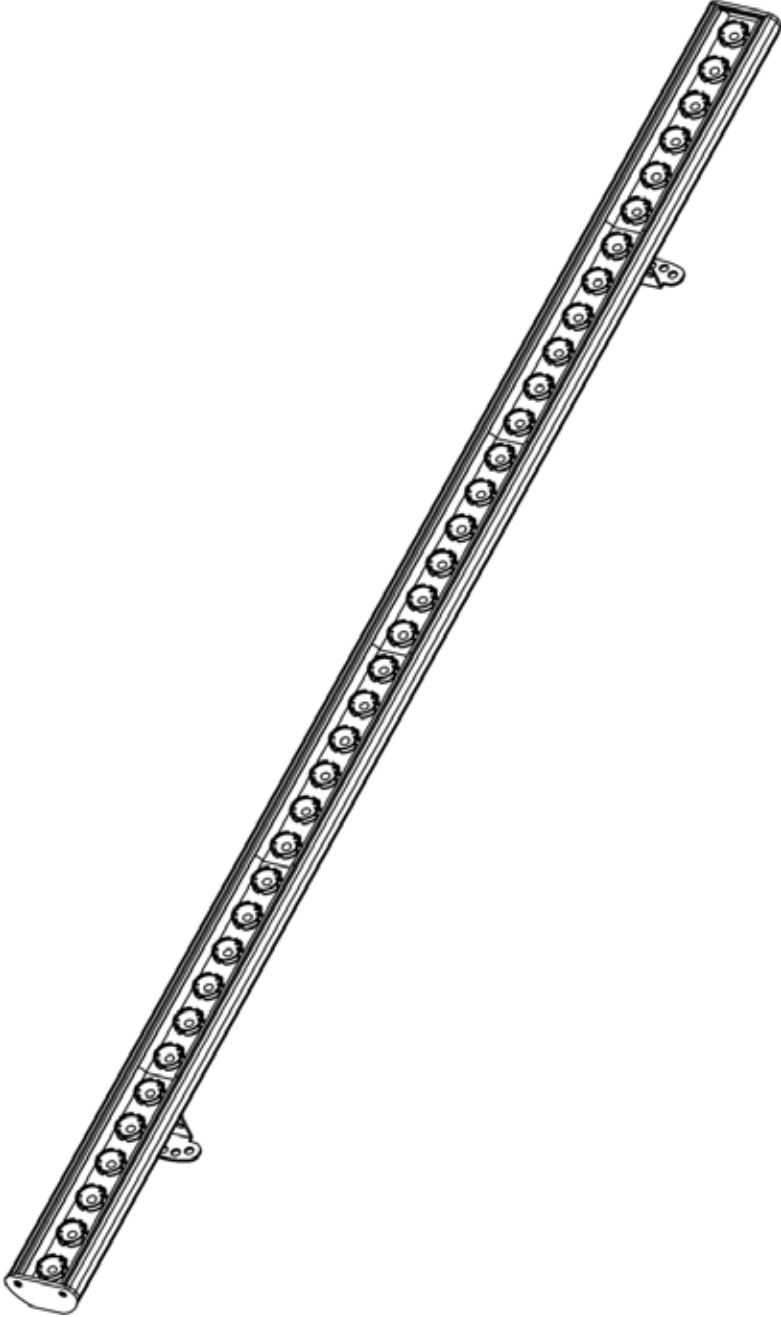


Ilumiline LLogic™ 36 Optic RGB

Quick Reference Guide



- What Is Included**
- One Illumiline LΩgic™ 36 Optic RGB
 - One Quick Reference Guide
 - One Warranty Card

About This Guide The Illumiline LΩgic™ 36 Optic RGB Quick Reference Guide (QRG) contains the product’s features, options, input power, mounting information, wiring, connectivity, and dimensions.
Refer to the applicable LΩgic™ Controller User Manual from the ILUMINARC® web site (www.iluminarc.com) to learn about the disclaimers, safety notes, programming modes, and detailed technical information and instructions.

Product at a Glance

Use on Dimmer	⊘	Auto Programs	⊘
Outdoor Use	⊘	Auto-ranging power supply	⊘
Sound Activated	⊘	Replaceable Fuse	⊘
DMX	⊘	User Serviceable	⊘
Master/Slave	⊘	Duty Cycle	⊘

- Features**
- RGB LED wash light product
 - Compatible with LΩgic™ controllers
 - High power 1 W (350 mA) LEDs
 - RGB color mixing (with LΩgic™ Controller)
 - Extruded aluminum housing (silver) with integrated cooling enhancement
 - Belden 1585A plenum rated data/power cable (79 in / 2 m) with RJ45 connector
 - Low power consumption
 - IP20 ingress protection
 - Lightweight and durable construction

Controllers Please refer to the applicable User Manual to learn more about the LΩgic™ controllers’ currently available. The User Manuals can be downloaded from the ILUMINARC® web site (www.iluminarc.com).

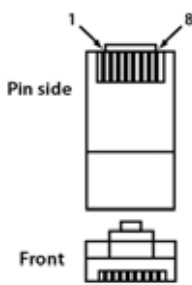
- LΩgic™ 1x36
- LΩgic™ 4x36
- LΩgic™ 16x36

Input Power The input power for this product is provided by a LΩgic™ Controller (1,050 mA @ 48 V).

Mounting The Illumiline LΩgic™ 36 Optic RGB includes mounting hardware with 6.3 mm holes, which allow the product to be mounted on any flat surface. Once mounted, the angle can also be adjusted.

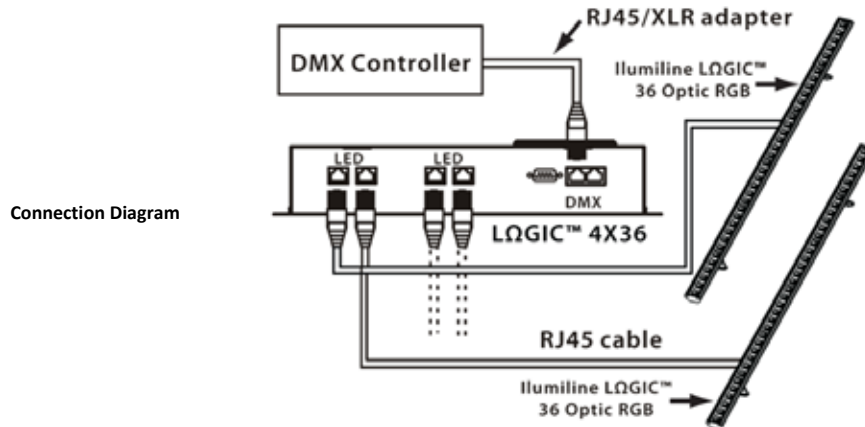
Wiring This product comes with a 79 in (2 m) long CAT 5 cable, terminated with an RJ45 plug to connect to a LΩgic™ Controller. If using the included splitter or if making an extension of the product’s cable, you must use plenum grade CAT 5/6 wire. The RJ45 connector pin out is shown below.

RJ45 Pin Out



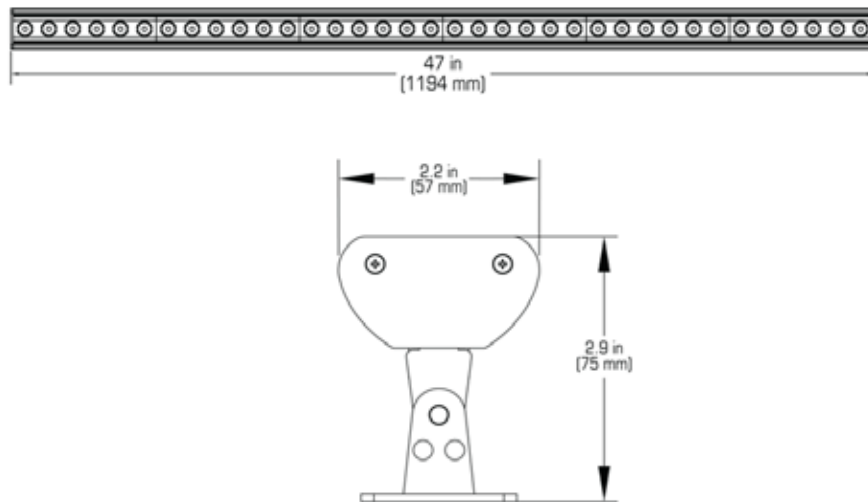
Pin	Wire Color	Function
1	White/orange	Warm LED +
2	Orange/white	Cool LED +
3	White/green	Warm LED +
4	Blue/white	Not used
5	White/blue	Warm LED -
6	Green/white	Cool LED -
7	White/brown	Warm LED -
8	Brown/white	Not used

Connectivity The figure below shows a possible connection layout using this product and a LΩgic™ 4X36 Controller. Refer to the applicable LΩgic™ Controller User Manual regarding wiring layouts and limitations.



All cables must be terminated to a product. Do not use the splitter as a coupler.

Dimensions



Contact Us

General Information

ILUMINARC®
 5200 NW 108th Avenue
 Sunrise, FL 33351
 Voice: (954) 923-3680
 Fax: (954) 929-5560
 (ATTN: ILUMINARC®)

World Wide Web

www.iluminarc.com