



EL-2600V

HDBaseT2 Multi-Format Matrix Transmitter with USB for the Reverse Power PUV-2600 Series



The EL-2600V presentation switcher is designed for use in environments needing a wide range of flexibility when it comes to inputs, outputs, and control. The three most common video input interfaces (HDMI, DisplayPort, and VGA w/stereo audio) are included, providing the ultimate in source compatibility and flexibility. The HDMI and DisplayPort inputs support resolution/timing up to a maximum of 4K@60Hz (4:4:4, 8-bit) which is converted, when appropriate and necessary, for transmission over Cat.6/7 cable up to 100 meters (at 4K@60Hz) along with bidirectional Ethernet, RS-232, USB, and IR. Due to the matrixing capability of this unit, an independent source may also be selected for output over the local HDMI output. The EL-2600V also includes a microphone input, with optional 48V/5V phantom power support, feeding directly into a DSP mixer, offering the complete presentation solution.

When paired with the PUV-2600RX (Not Included), up to 3 switchable USB 2.0 host (Type-B) connections are available (2 on the Transmitter, 1 on the Receiver) which connect to up to 6 USB 2.0 (Type-A) device ports (3 on the Transmitter, 3 on the Receiver) for a multi-source, bidirectional, and highly flexible KVM configuration or interactive displays (Note: Only 1 USB host may be active at a time). This Transmitter also provides an interface for a remote control keypad, or trigger interface, which can be easily installed within a lectern or table in a conference room or classroom.

The EL-2600V can be powered locally using a standard power supply, or it can be powered by 48V PoH (Power over HDBaseT) provided by a RX in the reverse power PUV-2600's range (Not Included), allowing for greater flexibility within different installation scenarios. This unit is controllable via front panel controls, Web GUI, Telnet, Triggers, and RS-232.

PANELS



Front View

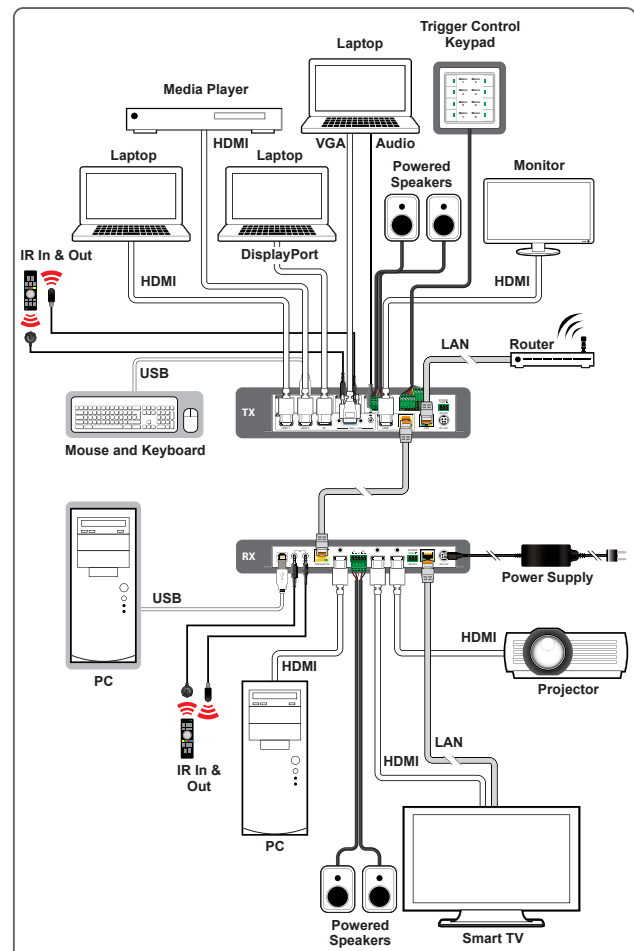


Rear View

FEATURES

- HDMI and DisplayPort with 18Gbps (600MHz), 3D & 4K video support; HDBaseT 2.0 compatible
- HDCP 1.x & 2.2 compliant
- Selectable HDMI, DisplayPort, and VGA inputs
- HDMI and DisplayPort support input resolutions up to 4K@60Hz (4:4:4, 8-bit)
- VGA supports input resolutions up to 1080p/WUXGA (RB)
- HDMI output supports resolutions up to 4K@60Hz (4:4:4, 8-bit)
- HDBaseT output supports resolutions up to 4K@60Hz (YUV 4:2:0, 8-bit) with automatic colour space conversion of 4K@60Hz (4:4:4, 8-bit) sources
- 4x2 matrix switching (HDMI and HDBaseT outputs are independent)
- Supported HDBaseT features: HD video and audio, 100BaseT Ethernet, 48V PoH, and control (bidirectional IR/RS-232/USB pass-through)
- Supports pass-through of LPCM 2.0/5.1/7.1, Bitstream & HD Bitstream audio formats
- Balanced analogue stereo audio breakout
- Microphone input supports optional 48V/5V phantom power
- Microphone input feeds into a DSP mixer allowing adjustable mix level controls
- Flexible USB host selection using front panel buttons
- Multiple USB hosts may be connected at once (up to 3 total, between the TX and a compatible Rx unit) with a single selected host active at a time
- Supports extended keypad (trigger) control for easy, single button, macro activation (optional equipment required)
- Supports local power, or power via 48V PoH from Receiver (Not Included) to Transmitter (compatible receivers only)
- Controllable via front panel buttons, Web GUI, Telnet, Triggers, and RS-232

DIAGRAM





EL-2600V

HDBaseT2 Multi-Format Matrix Transmitter with USB for the Reverse Power PUV-2600 Series

SPECIFICATIONS

Interfaces

Input Port	2 HDMI (Type-A) 1 DisplayPort 1 VGA (HD-15) 2 Unbalanced Stereo (3.5mm) 1 Microphone (6.35mm)
Output Port	1 HDBaseT (RJ-45) 1 HDMI (Type-A) 1 Balanced Stereo (5-pin Term. Block)
Control I/O	1 RS-232 (3.5mm) 1 Trigger (10-pin Terminal Block) 1 LAN (RJ-45)
Pass-through Port	1 IR Extender (3.5mm) 1 IR Blaster (3.5mm) 2 USB 2.0 (Type A) 2 USB 2.0 (Type B) 1 RS-232 (3-pin Terminal Block) 1 USB 2.0 (Type A) with Service function

Video

HDMI Compliance	2.0
HDCP Compliance	2.x
Input Signal Type	4K@60 YUV 4:4:4
Output Signal Type	4K@60 YUV 4:2:0

Resolutions

Maximum Input	HDMI	4096x2160p@60
	DisplayPort	4096x2160p@60
	VGA	1920x1200p@60RB
Maximum Output	HDMI	4096x2160p@60
	HDBaseT	4096x2160p@60 YUV 4:2:0

Audio

HDMI	LPCM 8 channel Bitstream High-Definition Bitstream
Line In	Max Audio Level: 1Vrms Impedance: 10kΩ Type: Unbalanced

Power

Power Supply	24V/3.75A DC (US/EU standards, CE/FCC/UL certified)
Power Consumption	23.54W

Enclosure

Chassis Material	Metal (Steel)
Chassis Colour	Black
Dimensions (W×H×D)	231.5mm×44mm×167mm [Case Only] 231.5mm×44mm×174mm [All Inclusive]
Weight	1204g

Field Firmware Update

USB Flash Drive, WebGUI

ORDERING INFORMATION

Model No.	Product Description
EL-2600V	HDBaseT2 Multi-Format Matrix Transmitter with USB for the Reverse Power PUV-2600 Series
PUV-2600RX	Standard HDBaseT2 Receiver with USB for the Reverse Power PUV-2600 Series
PUV-2606RX	HDBaseT2 Matrix Receiver with USB for the Reverse Power PUV-2600 Series