



# AU-11CA-4K22

## Full 4K HDMI Audio Embedder with Built-in Repeater



The AU-11CA-4K22 Audio Embedder enables you to insert an external audio signal into any HDMI source signal. This device allows you to insert analogue or digital stereo and multi-channel digital surround sound signals (via Optical) to give users the flexibility to manage their audio signals within a wider AV installation.

In addition to it's primary function as an audio embedder, AU-11CA-4K22 also acts as a HDMI repeater by boosting the HDMI signal enabling up to 10m HDMI cables to be run from the HDMI output . This device supports HDMI 2.0, HDCP 2.2 and 4K resolutions enabling flexible audio signal management into 4K ultra high definition video signal paths.

### PANELS

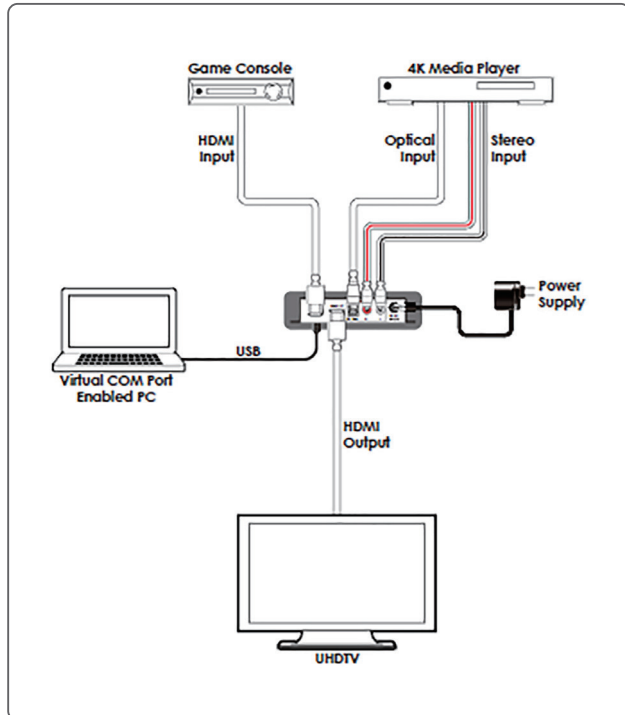


Front View



Rear View

### DIAGRAM



### FEATURES

- Supports 48-bit Deep Color up to 1080p@60Hz
- Supports passthrough of LPCM 7.1, Bitstream and HD Bitstream audio formats over HDMI
- Supports embedding external audio sources (analog stereo or digital S/PDIF) into an existing HDMI source, or adding audio to a DVI source (output as HDMI)
- Supports HDMI audio sampling rates up to 192kHz
- Supports the following S/PDIF audio sampling rates: 32kHz, 44.1kHz, 48kHz, 88.2kHz, 96kHz, 192kHz
- Provides EDID management with EDID bypass and 2 user modifiable EDIDs
- PC based EDID management tool support
- Outputs a 720p60 color bar pattern when no input is connected
- Supports RS-232 style control via a Virtual COM port over USB

### SPECIFICATIONS

#### Interfaces

<b>Input port</b>	1×HDMI 1×Optical (S/PDIF) 2×RCA (Stereo)
-------------------	------------------------------------------------

<b>Output Port</b>	1×HDMI
--------------------	--------

<b>Control I/O</b>	1×USB Mini-B
--------------------	--------------

#### Video

<b>HDMI Compliance</b>	HDMI 2.0 (DVI 1.0)
------------------------	--------------------

<b>HDCP Compliance</b>	2.2
------------------------	-----

<b>Input Signal Type</b>	4K@60 8bit YUV 4:4:4
--------------------------	----------------------

<b>Output Signal Type</b>	4K@60 8bit YUV 4:4:4
---------------------------	----------------------

#### Resolutions

<b>Maximum Input</b>	HDMI	4096×2160p@60
----------------------	------	---------------

<b>Maximum Output</b>	HDMI	4096×2160p@60
-----------------------	------	---------------

#### Power

<b>Power Supply</b>	5V/2.6A DC (US/EU standards, CE/FCC/UL certified)
---------------------	---------------------------------------------------

<b>Power Consumption</b>	3.78W
--------------------------	-------

#### Enclosure

<b>Chassis Material</b>	Metal
-------------------------	-------

<b>Chassis Colour</b>	Black
-----------------------	-------

<b>Dimensions (W×H×D)</b>	128mm×25mm×108mm [Case Only] 128mm×25mm×118mm [All Inclusive]
---------------------------	------------------------------------------------------------------

<b>Weight</b>	358g
---------------	------

#### Field Firmware Update

USB

### ORDERING INFORMATION

Model No.	Product Description
AU-11CA-4K22	Full 4K HDMI Audio Embedder with Built-in Repeater