



PUV-1530-KIT

HDBaseT1 Transmitter & Receiver Kit with LAN, OAR & PoH



The PUV-1530-KIT Transmitter and Receiver Kit enables transmission of video resolutions up to 4K UHD, along with HD audio, 2-Way IR, RS-232, PoH (Power over HDBaseT), OAR (Optical Audio Return), and LAN signals up to 100m. This solution provides advanced signal management ensuring reliable results in the most demanding installation environments. All audio, video, control, and power are transmitted simultaneously over a single CAT6a/7 cable up to 100m.

PANELS

TX



Front View

Rear View

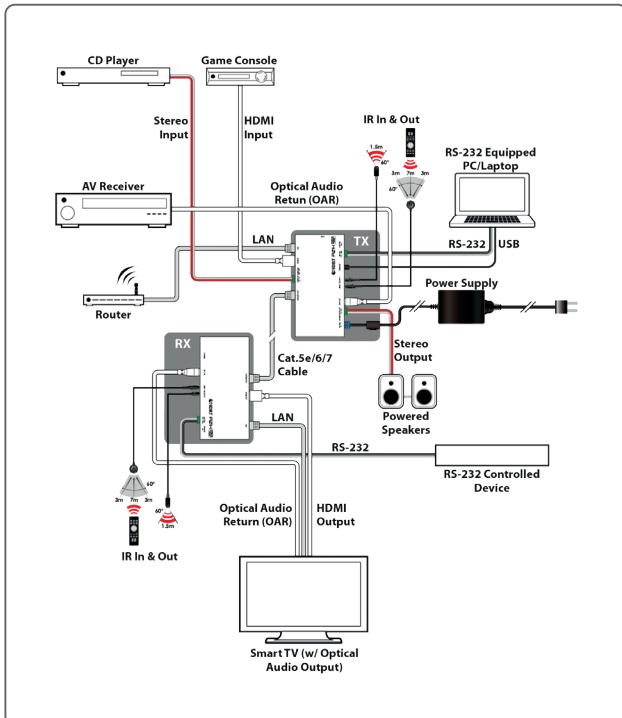
RX



Front View

Rear View

DIAGRAM



FEATURES

- HDCP2.2 Compliant
- HDBaseT 5-Play™ convergence: High-Definition video and audio, 100BaseT Ethernet, PoH (Power over HDBaseT) and control (Bi-Directional IR & RS-232 pass through)
- Supported resolutions VGA~WUXGA, 480i~1080p, 4K UHD@24/25/30Hz (RGB 4:4:4 & YUV 4:2:2), 4K UHD@60Hz (YUV 4:2:0), 4K/2K@24/25/30Hz (RGB 4:4:4 & YUV 4:2:2) and 4K/2K@60Hz (YUV 4:2:0) dependent upon the output display's EDID settings
- 4K/2K & 4K UHD signals can be transmitted up to 70m via CAT5e/6 and 100m via CAT6a/7
- Supports pass-through of HD audio formats: LPCM 2/5.1/7.1CH, Dolby Digital 2/5.1CH, Dolby Digital Plus, Dolby TrueHD, Dolby Atmos and DTS-HD Master Audio
- Optical Audio Return (OAR)
- Supports optical sampling rate up to 48kHz
- Supports HDCP repeating and CEC functions
- Supports 3D signals

SPECIFICATIONS

TX

Interfaces

Input Port	1 x HDMI (Type-A) 1 x Audio In connector (3-pin Terminal Block) 1 x IR In 2 (3.5mm)
-------------------	---

Output Port	1 x Optical Out 1 x Audio Out (3-pin Terminal Block) 1 x HDBaseT (RJ-45) 1 x IR Out 1 (3.5mm)
--------------------	--

Others	1 x RS-232 1 x LAN
---------------	-----------------------

Service Port	1xUSB 2.0 (Mini-B)
---------------------	--------------------

RX

Interfaces

Input Port	1 x HDBaseT (RJ-45) 1 x IR In(3.5mm) 1 x Optical In
-------------------	---

Output Port	1 x HDMI(Type-A) 1 x IR Out 2(3.5mm)
--------------------	---

Others	1 x LAN(RJ-45) 1 x RS-232(3-pin Terminal Block)
---------------	--

Video

HDMI Compliance	HDMI 2.0 (DVI 1.0)
------------------------	--------------------

HDCP Compliance	2.x
------------------------	-----

Input Signal Type	4K@60 YUV 4:2:0
--------------------------	-----------------

Output Signal Type	4K@60 YUV 4:2:0
---------------------------	-----------------

Resolutions

Maximum Input	HDMI	4096×2160p@60 YUV 4:2:0
----------------------	------	-------------------------

Maximum Output	HDBaseT	4096×2160p@60 YUV 4:2:0
-----------------------	---------	-------------------------

Power

Power Supply	[TX] 48V/0.83A DC (US/EU standards, CE/FCC/UL certified) [RX] PoH
---------------------	--

Power Consumption	[TX] 19.5W, [RX] 19.5W
--------------------------	------------------------

Enclosure

Chassis Material	Aluminum
-------------------------	----------

Chassis Colour	Black
-----------------------	-------

Dimensions (W×H×D)	[TX] 78mm x 163mm x 16mm Excluded jacks 78mm x 183mm x 16mm Included rack ears [RX] 78mm x 163mm x 16mm Excluded jacks 78mm x 183mm x 16mm Included rack ears
---------------------------	--

Weight	338g (Tx) 338g (Rx)
---------------	------------------------

Field Firmware Update

[TX] USB Flash Drive, [RX] RS232

ORDERING INFORMATION

Model No.	Product Description
PUV-1530-KIT	HDBaseT1 Transmitter & Receiver Kit with LAN, OAR & PoH