



PUV-1620A-RX

HDBaseT1 Switching Receiver with Built-in Amplifier for the Reverse Power PUV-1600 Series



The PUV-1620A-RX HDMI over HDBaseT Receiver with Amplifier is a 2 by 1 switch with standard HDMI and HDBaseT inputs and an HDMI output as well as amplified stereo audio output. This unit's HDBaseT input can receive uncompressed high-definition 4K UHD (up to 10.2Gbps) video along with Ethernet, RS-232 and IR control over a single cable up to a distance of 100 metres while the HDMI input supports high bandwidth 4K UHD+ sources (up to 18Gbps) with support for 10/12-bit HDR. Pass-through of multiple digital audio formats such as LPCM (up to 8 channels), Bitstream and HD Bitstream is also supported via the HDBaseT and HDMI inputs. Additionally, the integrated 3.5mm mini-jack and class D stereo amplifier outputs allow audio to be extracted from the selected source (LPCM 2.0 sources only) for local sound reinforcement, ideal for small meeting spaces, classrooms or lecture theatres.

Signal management features such as automatic switching based on input signal and hot plug detection enable convenient hands-free operation. There are also four built-in switching relay connections allowing control over direct power devices such as projection screens, curtains, lights, etc. Front panel controls and a comprehensive Web GUI provide access to manual input selection, volume control, as well as additional functionality such as EDID management, HDCP management and control over the four relay ports.

This switching receiver is ideal for use in residential or commercial point to point applications that require long HDBaseT signal transmission distances such as home theatres, conference rooms, huddle rooms, or lecture halls. The integrated PoH (Power over HDBaseT) feature can provide power to compatible transmitters, providing greater flexibility in installations. This unit can be controlled in a wide variety of different ways including front panel buttons, Web GUI, Telnet, and RS-232.

PANELS



Front View

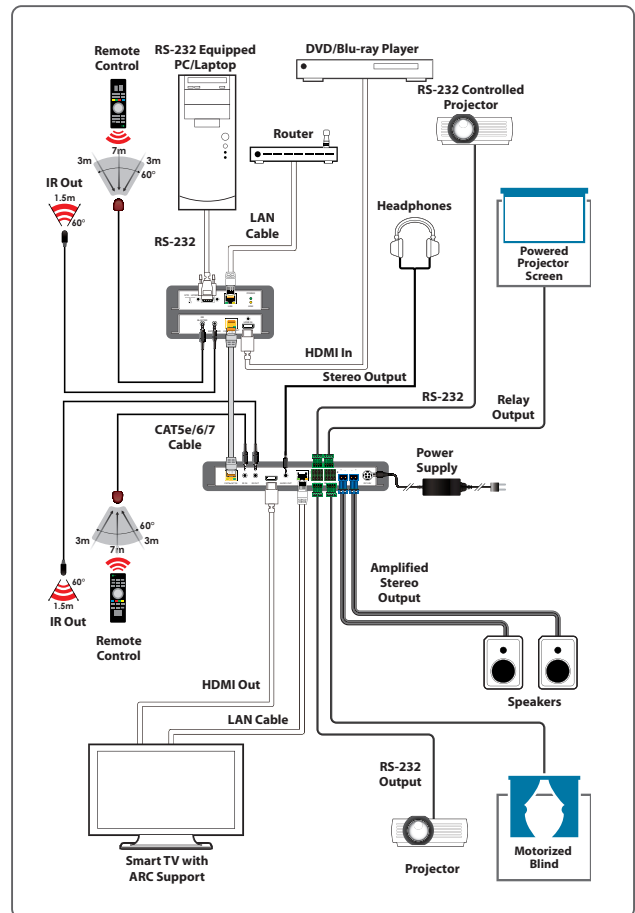


Rear View

FEATURES

- HDMI 2.0 and HDBaseT 1.0 compatible
- HDCP 1.x and 2.2 compliant
- 1xHDMI and 1xHDBaseT inputs
- 1xHDMI output
- HDBaseT input supports resolutions up to 4K@60Hz (4:2:0, 8-bit) or 4K@30Hz (4:4:4, 8-bit).
- HDMI input and output supports resolutions up to 4K UHD+ (18Gbps, 4K@60Hz 4:4:4, 8-bit)
- Supports Deep Colour input and output up to 12-bit at 1080p60
- Supports 10-bit and 12-bit HDR (High Dynamic Range) input/output (HDMI bypass only)
- Supports CEC bypass
- Comprehensive EDID and HDCP management
- HDBaseT feature support: HD Video and Audio, 100BaseT Ethernet, PoH (PSE) and Control (bi-directional IR/RS-232 pass-through)
- HDBaseT input receives video, audio and data over a single Cat.5e/6/7 cable and can reach distances up to 100m/328ft at 4K when using Cat.6A/7
- Supports standard PoH (PSE) from the HDBaseT input to connected HDBaseT (PD) transmitters (compatible transmitters only)
- Supports pass-through of HD audio formats including LPCM (up to 8 channels), Bitstream, and HD Bitstream
- Compact amplifier design
- High performance and efficient 2 channel, class D amplifier with 20 watts of power per channel and volume control
- Control via front panel buttons, Web GUI, Telnet, and RS-232

DIAGRAM





PUV-1620A-RX

HDBaseT1 Switching Receiver with Built-in Amplifier for the Reverse Power PUV-1600 Series

SPECIFICATIONS

Interfaces

Input Port	1 HDMI (Type-A) 1 HDBaseT (RJ-45)
Output Port	1 HDMI (Type-A) 1 Stereo Audio (3.5mm) 1 Stereo Audio (2×2-pin Term. Block)
Pass-through Port	1 IR Extender (3.5mm) 1 IR Blaster (3.5mm) 1 RS-232 (4-pin Terminal Block) 4 Power Relay (2-pin Terminal Block)
Control I/O	1 RS-232 (4-pin Terminal Block) 1 LAN (RJ-45)
Service Port	1 USB 2.0 (Type-A)

Video

HDMI Compliance	HDMI 2.0
HDCP Compliance	2.x
Input Signal Types	HDMI 4K@60 8 bit YUV 4:4:4 HDBaseT 4K@60 8 bit YUV 4:2:0
Output Signal Types	HDMI 4K@60 8 bit YUV 4:4:4
	Resolutions
Maximum Input	HDMI 4096×2160p@60 HDBaseT 4096×2160p@30
Maximum Output	HDMI 4096×2160p@60

Audio

Input Signal Types	HDMI, HDBaseT
Output Signal Types	Stereo Output 3.5mm Stereo Output 2×2-pin Terminal Block
Digital Formats	HDMI, 8CH LPCM, HD Bitstream HDBaseT, 8CH LPCM, HD Bitstream

Power

Power Supply	24V/3.75A
Power Consumption	91.63W (Full load)

Enclosure

Chassis Material	Metal (Steel)
Chassis Colour	Black
Dimensions (W×H×D)	231.5mm×25mm×108mm [Case Only] 231.5mm×25mm×112mm [All Inclusive]
Weight	679g

Field Firmware Update

USB Flash Drive, WebGUI

ORDERING INFORMATION

Model No.	Product Description
CH-2540RX	UHD™ HDMI over HDBaseT Receiver with Amplifier
CH-2527TX	UHD HDMI over HDBaseT Transmitter with PoH