



PUV-2606TX

Standard HDBaseT2 Transmitter with USB for the Reverse Power PUV-2600 Series or EL-8400VA



The PUV-2606TX HDBaseT2 Transmitter has USB connectivity, audio embedding and all the features of HDBaseT2 plus the reverse PoH (RX powers TX) featured in all our PUV-2600 range along with its primary HDMI and analogue audio inputs.

The PUV-2606TX can send uncompressed audio/video along with Ethernet, USB, IR, and RS-232 over a single Cat.6/7 cable up to a distance of 100m. The HDMI input supports resolutions up to 4K@60Hz (4:2:0, 8-bit). The mini-jack 3.5mm stereo audio input, may also be embedded into the HDBaseT output signal. Despite HDBaseT's 10.2Gbps bandwidth limitation, high bandwidth 4K UHD+ HDMI video sources, up to and including 4K@60Hz (4:2:0, 8-bit).

Whether paired with the standard PUV-2606RX or the more advanced matrix receiver, the PUV-2600RX has a total of 3 selectable USB host (Type-B/C) connections available which provide access to 5 USB device (Type-A) ports forming a highly flexible KVM extension configuration (Note: Only 1 USB host may be active at a time). Additionally, the USB Type-C input can provide power (up to 60W) to any connected device (only available when the unit is powered locally). All USB ports on the transmitter support up to USB 3.0 data transfer speeds.

Additional functionality such as advanced EDID management, HDCP management, and basic signal event automation (which can automatically send customised RS-232 or CEC commands to an external device) are also available via the webGUI or via the control commands clearly listed in the product manual.

The PUV-2606TX can be powered locally with a 24V power supply or remotely via PoH (Power over HDBaseT) from a compatible PUV-2600 series HDBaseT receiver, allowing for greater flexibility in installations. Via the front panel buttons you can switch USB host, can be configured and controlled via webGUI, Telnet, and RS-232.

PANELS



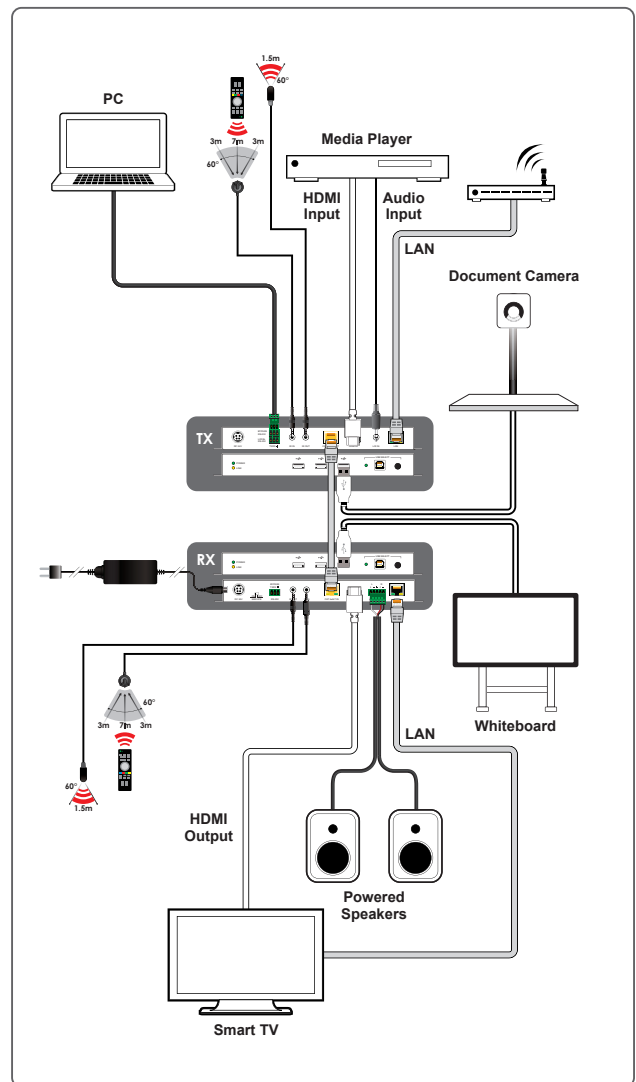
Front View

Rear View

FEATURES

- HDMI 2.0, DisplayPort 1.4, and DVI 1.0 compliant
- HDCP 1.x and 2.2 compliant
- 1 HDBaseT output
- Supports up to 4K UHD+ (18Gbps, 4K@60Hz 4:4:4, 8-bit) video input
- Supports Deep Colour input up to 12-bit
- Supports 10-bit and 12-bit HDR (High Dynamic Range) input
- HDBaseT output supports resolutions up to 4K@60Hz (4:2:0, 8-bit) with automatic down conversion to 1080p for any sources that exceed HDBaseT's bandwidth limitations, such as 4K@60Hz (4:4:4, 8-bit) or 4K@any (10/12-bit) sources
- Supported HDBaseT feature set: HD Video & Audio, PoH (PD), and Control Extension (Bi-directional IR/RS-232/USB)
- Supports pass-through of many audio formats including 8 channel LPCM, Bitstream, and HD Bitstream
- Analogue audio may be embedded to HDMI input
- EDID management with internal or external EDID options
- Basic signal event automation (via RS-232 or CEC)
- Supports optionally being powered via PoH from a compatible HDBaseT receiver
- Controllable via front panel button, WebGUI, Telnet, or RS-232

DIAGRAM





PUV-2606TX

Standard HDBaseT2 Transmitter with USB for the Reverse Power PUV-2600 Series or EL-8400VA

SPECIFICATIONS

Interfaces

Input Port	1 HDMI (Type-A) 1 Unbalanced Stereo (3.5mm)
Output Port	1 HDBT(RJ45)
Control I/O	3 USB 1 USB 1 IR Extender 1 IR Blaster 2 RS232 (3-pin Terminal Block) 1 LAN (RJ-45)

Video

HDMI Compliance	HDMI 2.0 (DVI 1.0)
HDCP Compliance	2.x
Input Signal Type	4K@60 YUV 4:4:4
Output Signal Type	4K@60 YUV 4:2:0

Resolutions

Maximum Input	HDMI	4096×2160p@60
Maximum Output	HDBT	4096×2160p@30

Audio

Input Signal Types	HDMI, Stereo
HDMI IN	LPCM (8 Channels), Bitstream, High Bit Rate Bitstream bypass

Power

Power Supply	24V/2.7A
Power Consumption	40.44W (Full load)

Enclosure

Chassis Material	Metal (Steel)
Chassis Colour	Black
Dimensions (W×H×D)	231.5mm×25mm×108mm [Case Only] 231.5mm×25mm×110mm [All Inclusive]
Weight	647g

Field Firmware Update

USB Flash Drive, WebGUI

ORDERING INFORMATION

Model No.	Product Description
PUV-2606TX	Standard HDBaseT2 Transmitter with USB for the Reverse Power PUV-2600 Series or EL-8400VA
PUV-2606RX	Standard HDBaseT2 Receiver with USB for the Reverse Power PUV-2600 Series
PUV-2600RX	HDBaseT2 Matrix Receiver with USB for the Reverse Power PUV-2600 Series