



# SY-12H-4K22

## Full 4K 1 in 2 out HDMI Scaler with EDID & HDCP Management



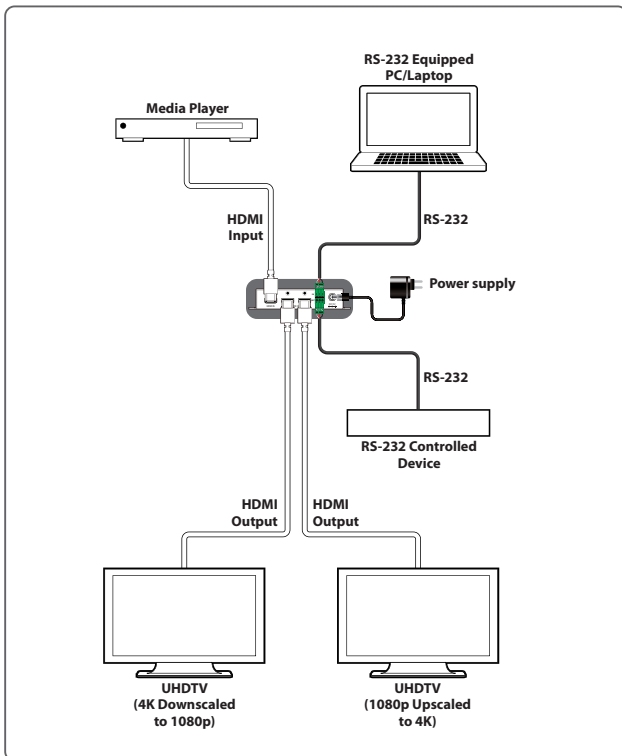
This SY-12H-4K22 is designed to upscale 1080p signals into 4K UHD (18Gbps) or downscale 4K UHD (18Gbps) signals into 1080p with synchronized digital audio output. The user friendly interface provides simple control of the unit while viewing the OSD directly on the HDMI outputs. The input signal can be outputted to both HDMI outputs simultaneously with a different resolution on each or the unit can generate a test pattern at a preferred video resolution for easy on-site display testing.

The unit also includes comprehensive EDID and HDCP management, and basic signal event automation via RS-232 or CEC. This unit can be controlled easily by the front panel buttons (with OSD) or by RS-232.

### PANELS



### DIAGRAM



### FEATURES

- HDMI input and output with 18Gbps (600MHz) 4K UHD with HDR support
- DVI 1.0 compliant with the use of an HDMI-DVI adapter
- HDCP 2.2 Compliant
- 1 x HDMI input and 2 x HDMI outputs
- Supports HDCP 2.2 to HDCP1.4 conversion
- HDMI signal bypass on both outputs or upscales 1080p signals to 4K on output B and downscales 4K signals to 1080p on output A
- Supports HD resolutions up to 3840x2160@60Hz (4:4:4, 8-bit)
- Supports 4K HDR at 24/30Hz (YUV 4:4:4) and 50/60Hz (YUV 4:2:0) with up to 12-bit colour
- Supports 16-bit Deep Colour up to 1080p@60Hz
- Supports pass-through of many audio formats including LPCM 2.0/5.1/7.1, Bitstream, and HD Bitstream
- Supports colour space conversion of 4K@50/60Hz (4:4:4, 8-bit) or 4K@any (10/12-bit) sources
- Integrated EDID and HDCP management
- Basic signal event automation (via RS-232 or CEC)
- Test pattern generation at selected resolutions for on-site display testing
- Front Panel Controls with OSD, and RS-232

### SPECIFICATIONS

#### Interfaces

<b>Input Port</b>	1x HDMI [1x HDMI Uncompressed AV and Data] 1x USB Type A [1x Service and comms port Propriety Data] 1x Phoenix (3 pin) [1x RS-232]
-------------------	--

<b>Output Port</b>	2x HDMI [1x HDMI Uncompressed AV and Data] 1x Phoenix (3 pin) [1x RS-232]
--------------------	--

#### Video

<b>HDMI Compliance</b>	HDMI 2.0 (DVI 1.0)
------------------------	--------------------

<b>HDCP Compliance</b>	2.2
------------------------	-----

<b>Input Signal Type</b>	4K@60 8bit YUV 4:2:0
--------------------------	----------------------

<b>Output Signal Type</b>	4K@60 8bit YUV 4:2:0
---------------------------	----------------------

		Resolutions
<b>Maximum Input</b>	HDMI	4096x2160p@60
<b>Maximum Output</b>	HDMI	4096x2160p@60

#### Audio

<b>HDMI</b>	LPCM, bitstream
-------------	-----------------

#### Power

<b>Power Supply</b>	5V/2.6A DC (US/EU standards, CE/FCC/UL certified)
---------------------	---

<b>Power Consumption</b>	4.3W
--------------------------	------

#### Enclosure

<b>Chassis Material</b>	Metal
-------------------------	-------

<b>Chassis Color</b>	Black
----------------------	-------

<b>Dimensions (WxHxD)</b>	128mmx25mmx75mm [Case Only] 128mmx25mmx83mm [All Inclusive]
---------------------------	---

<b>Weight</b>	272g
---------------	------

#### Field Firmware Update

USB

### ORDERING INFORMATION

Model No.	Product Description
SY-12H-4K22	Full 4K 1 in 2 out HDMI Scaler with EDID & HDCP Management