

► Features

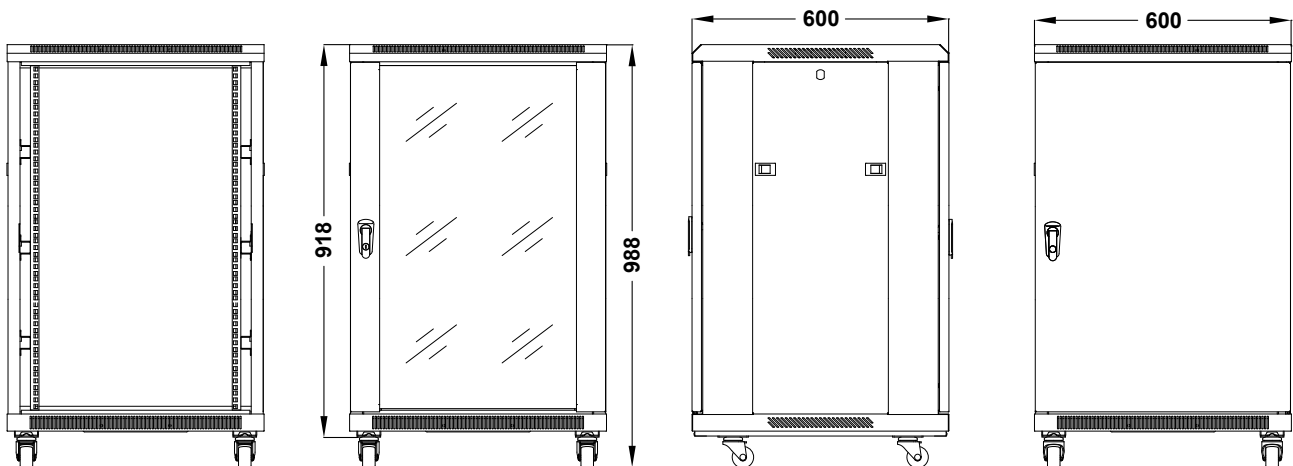
- Stores up to 18 units of 19" Equipment
- Standard keylock for both doors
- Integrated ventilation grid on top
- 50 mm Wheels + leveling feet included
- Removable sides for easy installing & cabling
- Punched square holes for use with snap-in cage nuts
- Tempered smokey grey glass front door & steel rear door
- Front and rear in depth adjustable 19" profiles (max 540 mm)

► Description

The SPR618 is a professional 19" rack compliant to the ANSI/EIA RS-310D, DIN41491 and IEC60297 standards. A cold rolled steel 2 mm thick frame and 1,2 mm thick plates provides a solid and stable construction making it suitable for heavy equipment, storing up to 18 units inside. The SPR618 comes fully assembled including 50 mm wheels for easy moving and adjustable feet for fixing and leveling once correctly positioned. The 19" mounting profile with punched square holes for use with snap-in cage nuts in combination with the printed unit measurement indicators ensure an easy fitting of the equipment. Adjustable 19" profiles provide great flexibility for installing equipment depending on its depth. Both front and rear doors are fitted with a standard keylock.



► Technical Drawing



► Specifications

PROPERTY	VALUE
Unit height	18 HE
Width	600 mm
Depth	600 mm
Max usable depth	540 mm
Height	918 mm
Height with wheels	988 mm
Weight	52 kg
Rack color	Black (RAL 9004)
Wheel diameter	50 mm

► Included Accessories

ARTICLE	QUANTITY
Leveling feet	4
Key for front/back door	4
Key for sidepanel lock	4
KS600	20
KM600	20
Allen key	1

► Optional Accessories

ARTICLE	DESCRIPTION
SPR10CL	Coded door lock
SPR10CS	Rack interconnection slot
SPR60FS	Fixed shelf
SPR60SS	Sliding shelf
SPR60LR	L-Rail pair
SPR60PT	Rack plinth
SPR60RF	Cooling roof fan unit (230V)
KM600	Cage nuts
KS600	Screws for cage nuts