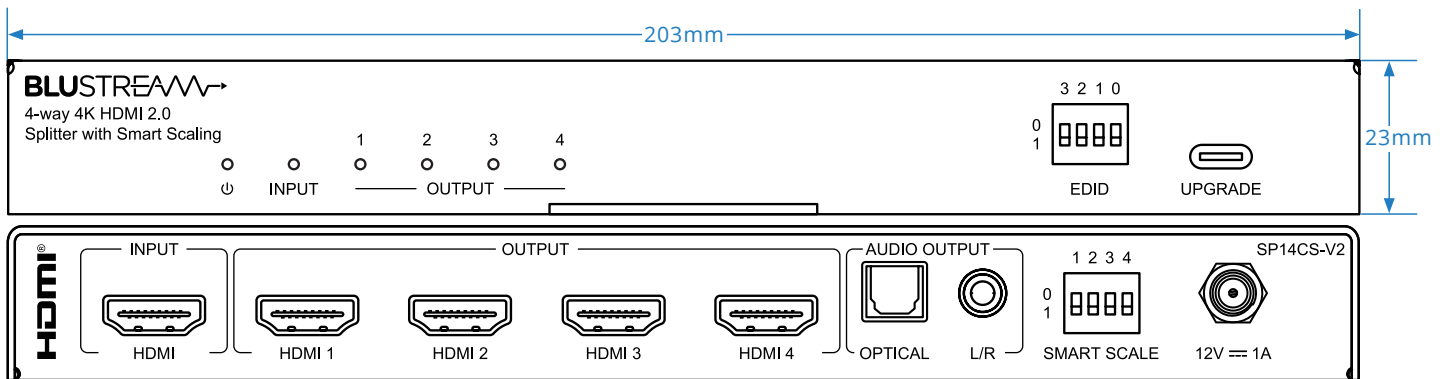


4-Way 4K HDMI 2.0 Splitter with Smart Scaling

Description

Our SP14CS-V2 4K HDMI 2.0 splitter distributes a single HDMI source to four simultaneous outputs with both digital (S/PDIF) and analogue audio breakout.

The splitter supports full HDMI 2.0 and HDCP 2.2 with video resolutions up to and including 4K @ 60Hz 4:4:4 with automatic video down conversion on each output.



Key Features

- Features 1x HDMI input that is replicated to 4x HDMI outputs
- Supports HDMI 2.0 18Gbps specification including HDR
- Supports up to 4K UHD 60Hz 4:4:4
- Video down-conversion on outputs allowing a display only capable of supporting lower video resolutions (4K 60Hz 4:2:0 or 1080p) to receive 4K 60Hz 4:4:4 video content while still showing maximum original 4K UHD resolution on remaining video outputs
- Supports all industry standard video resolutions including VGA-WUXGA and 480i-4K
- Supports bitstream passthrough of multichannel surround sound including object-based audio formats in line with HDMI specifications.
- HDMI audio breakout to analogue L/R audio and optical digital outputs concurrently
- Advanced EDID management
- HDCP 2.2 Support

Specifications

- EDID: 4-PIN DIP switch
- Smart Scale: 4-PIN DIP switch
- Dimensions (W x D x H): 203mm x 84mm x 23mm
- Shipping Weight: 0.8kg
- Operating Temperature: 32°F to 104°F (0°C to 40°C)
- Storage Temperature : -4°F to 140°F (-20°C to 60°C)
- Power Supply: 12V/1A DC

Connectivity

- Video Input Connectors: 1x HDMI Type A
- Video Output Connectors: 4 x HDMI Type A
- Audio Output Connectors: 1x Digital (Optical), 1x Analogue audio L/R (3.5mm stereo Jack)

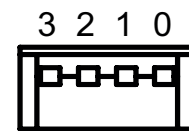
Blustream cannot be held responsible for errors in typography or photography. Specifications are subject to change without notice.



EDID Dip switches

- [DIP]=0000: HDMI 1080p@60Hz, Audio 2ch PCM (default)
- [DIP]=0001: HDMI 1080p@60Hz, Audio 5.1ch PCM/DTS/DOLBY
- [DIP]=0010: HDMI 1080p@60Hz, Audio 7.1ch PCM/DTS/DOLBY/HD
- [DIP]=0011: HDMI 4K@60Hz 4:2:0 / 4K@30Hz 4:4:4, Audio 2ch PCM
- [DIP]=0100: HDMI 4K@60Hz 4:2:0 / 4K@30Hz 4:4:4, Audio 5.1ch PCM/DTS/DOLBY
- [DIP]=0101: HDMI 4K@60Hz 4:2:0 / 4K@30Hz 4:4:4, Audio 7.1ch PCM/DTS/DOLBY/HD
- [DIP]=0110: HDMI 4K@60Hz 4:4:4, 8-bit, Audio 2ch PCM
- [DIP]=0111: HDMI 4K@60Hz 4:4:4, 8-bit, Audio 2ch 5.1ch PCM/DTS/DOLBY
- [DIP]=1000: HDMI 4K@60Hz 4:4:4, 8-bit, Audio 7.1ch PCM/DTS/DOLBY/HD
- [DIP]=1001: HDMI 4K@60Hz 4:4:4, 10-bit HDR, Audio 2ch PCM
- [DIP]=1010: HDMI 4K@60Hz 4:4:4, 10-bit HDR, Audio 5.1ch PCM/DTS/DOLBY
- [DIP]=1011: HDMI 4K@60Hz 4:4:4, 10-bit HDR, Audio 7.1ch PCM/DTS/DOLBY/HD
- [DIP]=1100: DVI 1920x1080@60Hz, Audio None
- [DIP]=1101: DVI 1920x1200@60Hz, Audio None
- [DIP]=1110: EDID pass-through (Copy from Sink 1)
- [DIP]=1111: EDID via API / Software Fallback EDID request (not set from Software): DVI 1280x1024, Audio None

EDID Dip switches



EDID

Box Contents

- 1 x SP14CS-V2
- 1 x 12V / 1A DC Power Supply
- 1 x Mounting Kit
- 1 x Quick Reference Card

Regulatory Compliance



CAN ICES-003(B) / NMB-003(B)

Blustream cannot be held responsible for errors in typography or photography. Specifications are subject to change without notice.