

1

2

3

4

5

6

A

B

C

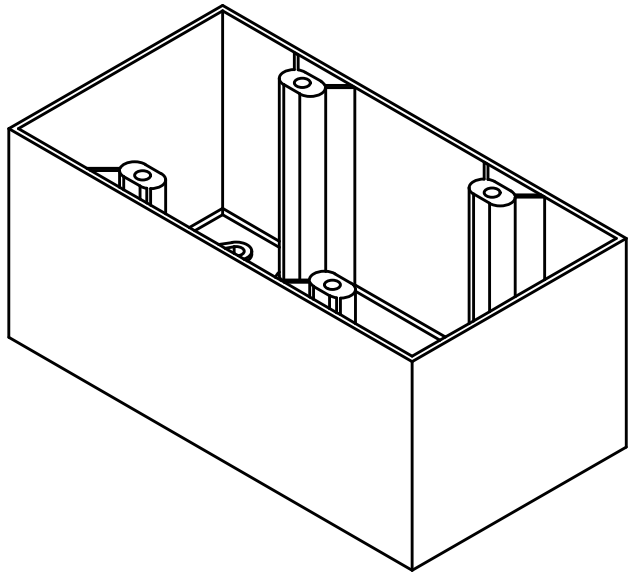
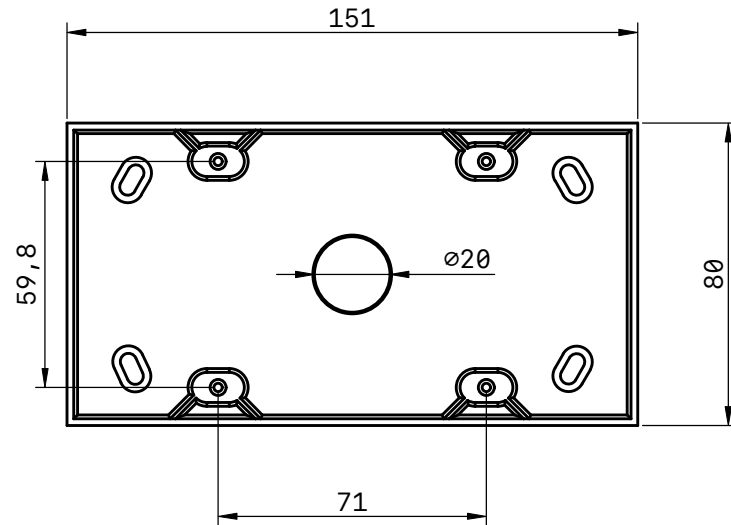
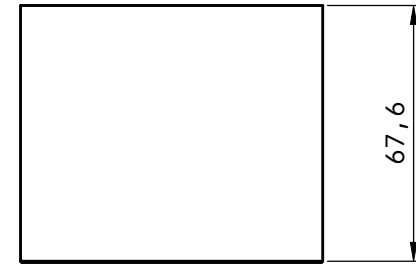
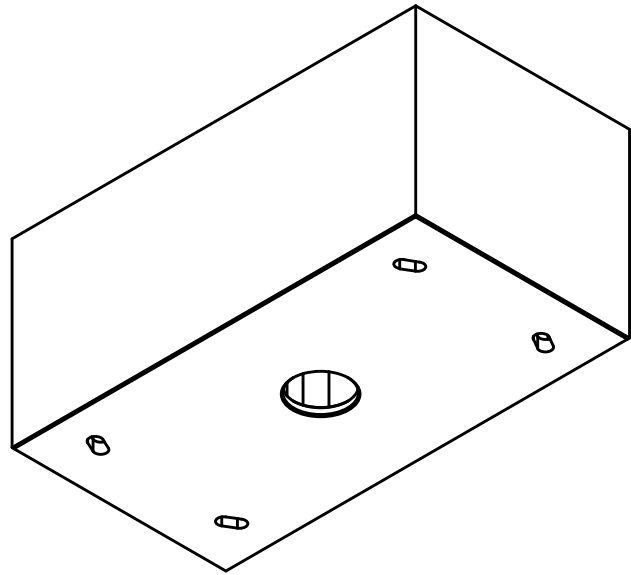
D

A

B

C

D



TITLE		
Audac NWP222		
UNITS	PROJ. ANG.	SIZE
mm		A4
SCALE	LAST UPDATED	SHEET
1:2	03/28/25	1/1

1

2

3

4

5

6